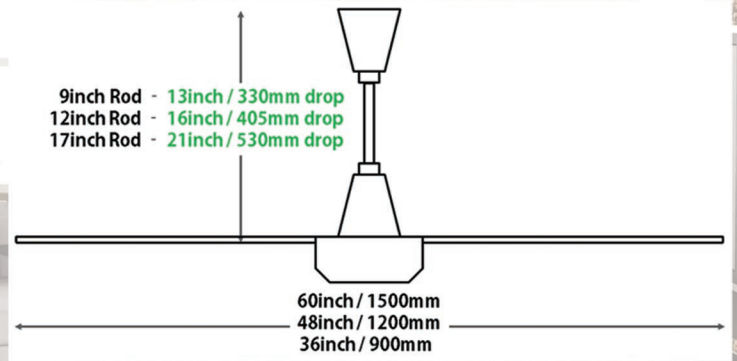


Rapid

Our Rapid ceiling fan is created for optimum performance and highly regarded for its quality and safety features. Made from high quality and anti-corrosion materials, its aerodynamically designed blades promise optimum air delivery, surpassing the industry's standards. With its quiet and energy saving operation, Relite fans are extremely popular with commercial and home users.

Features

- Corrosion resistant epoxy powder coated aluminum body & blades
- Build-in Safety Chain for added safety
- Class B Insulation
- Simple Blades Design
- Lightweight < 6Kg
- High Air Delivery
- Comes with 5-Speed Wall Regulator



MODEL	Voltage / Frequency	Power Consumption	Air Delivery (m ³ /min)	Fan Weight (Approx.)	Noise Level (db)	Blades Sweep (Inches/mm)	Downrod (Inches)	5-Speed Wall Regulator (cm)
Rapid	220- 240V / 50Hz	65W	245	5kg	50	36 / 900 48 / 1200 60 / 1500	9 / 12 / 17	87 x 87 x 67 (L x B x D)

*Specifications subject to change without notice
 *Picture illustration may varies with actual products supplied



Marketed by:
Khind Systems (Singapore) Pte Ltd
 (formerly known as Ancom Systems (Singapore) Pte Ltd)
 No. 5 Penjuru Close #03-00
 Singapore 608600
 Tel (65) 6862 3777
 Fax (65) 6862 8628
 kssg.sales@khind.com

KHIND
 www.khind-systems.com