

KHIND



Cyclone II

Marketed by:
Khind Systems (Singapore) Pte Ltd
No. 5 Penjuru Close #03-00 Singapore 608600
Tel (65) 6862 3777 | Fax (65) 6862 8628 | Email: kssg.sales@khind.com
Website: www.Khind-Systems.com

Cyclone II

- **Large air volume**

Ultra-long air supply distance, the effective distance of wind speed exceeds 24m, which can cover most of the length of the basketball court;

- **Move freely**

Designed with 4 casters, it can be moved freely to any place where wind is needed indoors or outdoors

- **Energy saving**

The total power of the fan is 0.55kW, the energy consumption is very low, and the energy consumption cost for a whole day of operation is only a few dollars;

- **Quiet and low noise**

The noise is very low, the noise level is 43dBA, when the fan is running, the conversation sound near the fan will not be affected;

- **Stepless speed regulation**

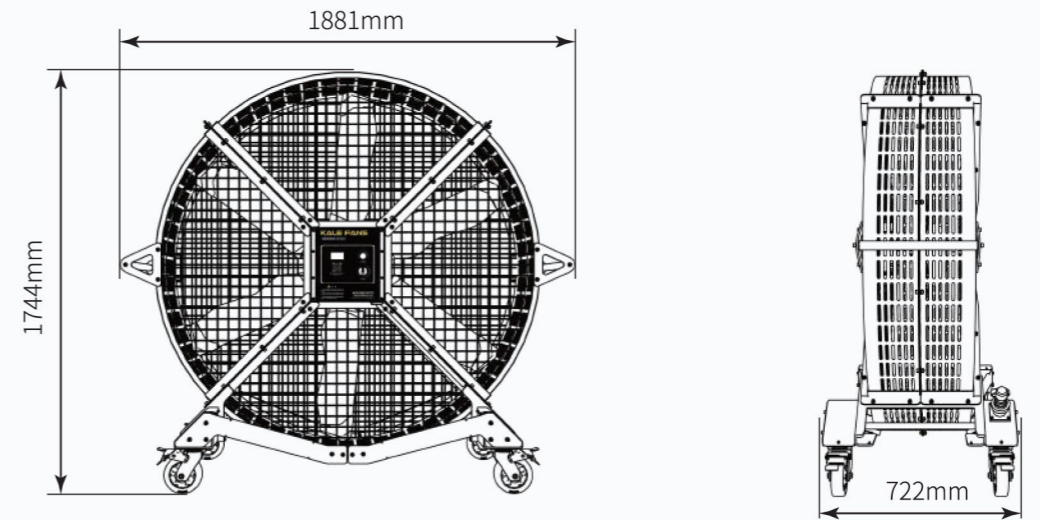
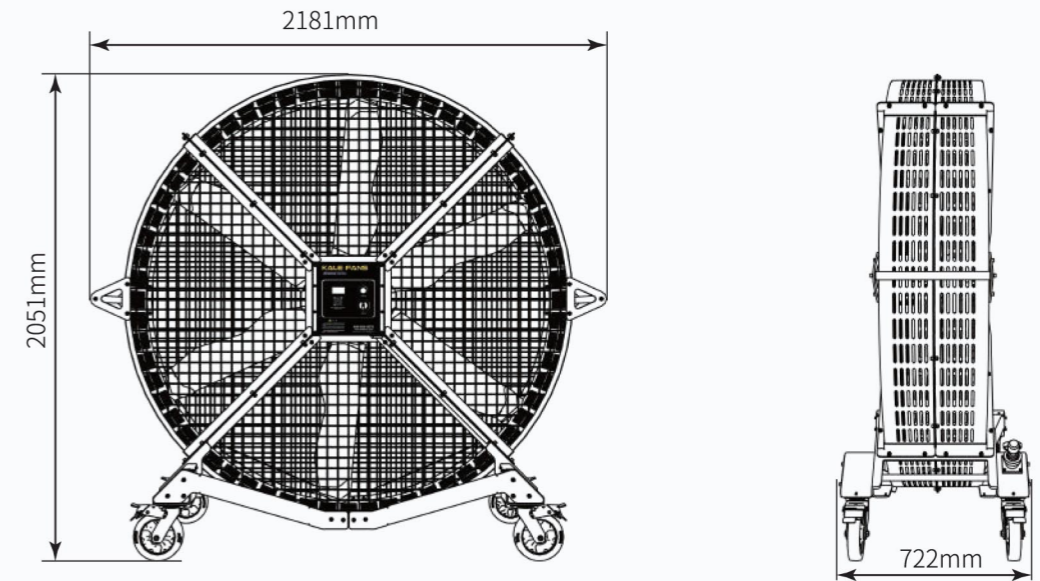
PMSM permanent magnet synchronous motor drives the fan blades, stepless frequency conversion speed regulation, the fan can be controlled freely, the operation is simple and convenient;

- **Water and dust proof**

with IP55 protection grade and overall waterproof performance, the fan can be operated normally in rainy and humid environment; it is easy to clean and while cleaning, do not need to disassemble the frame and directly rinse with water tap;

- **Modular installation**

The overall fan is a modular design, and each module can be installed by the user. If it needs to be transported to other locations, only need to unpack each module, and install it as a whole after arrive at the destination.



Technical Specifications

Model	Cyclone 200 (2m)	Cyclone 160 (1.6m)
Dimensions(WxHxD)	2181mm x 2051mm x 722mm	1881mm x 1744mm x 722mm
Max speed	320r/min	360r/min
Range of wind speeds	0-36m (wind speeds 7m/s-1.5m/s)	0-24m (wind speeds 7.3m/s-1m/s)
Full load air volume	1208m ³ /min	723m ³ /min
Motor	PMSM Motor	PMSM Motor
Motor Power	0.55kW	0.36kW
Inner Power	220V	220V
Full-load current	1.7 A	1A
Sound Level(maximum speed)	43dBA	43dBA
Protection levels	IP55	IP55
Wight	176KG	152KG

Application case

