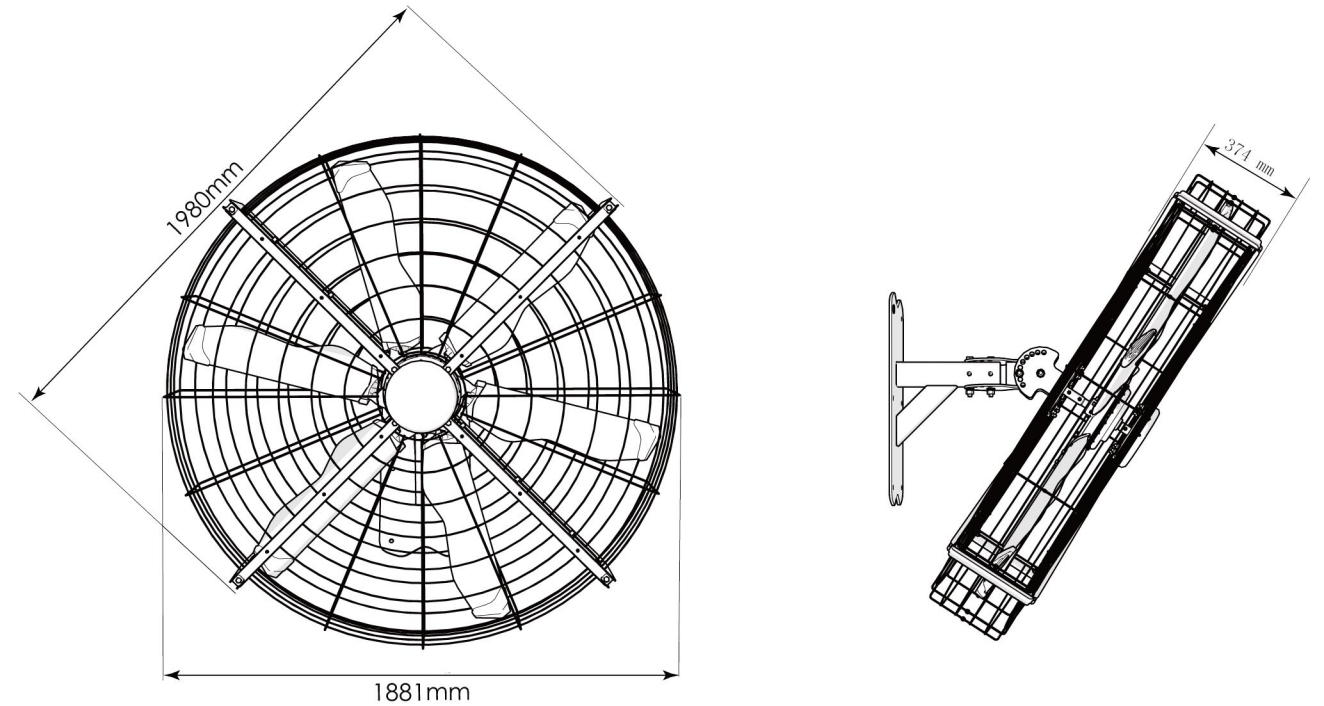


AirBlast fan can be use on either beam or wall application with a total height of 2m and fixed direction. Equipped with Permanent Magnet Synchronous (PMSM) motor, it is able to produce huge and continuous air.

Using 1 unit **AirBlast fan** is comparable to more than 20 units small fans during the hot day. Frame is made with strong steel and durable material.

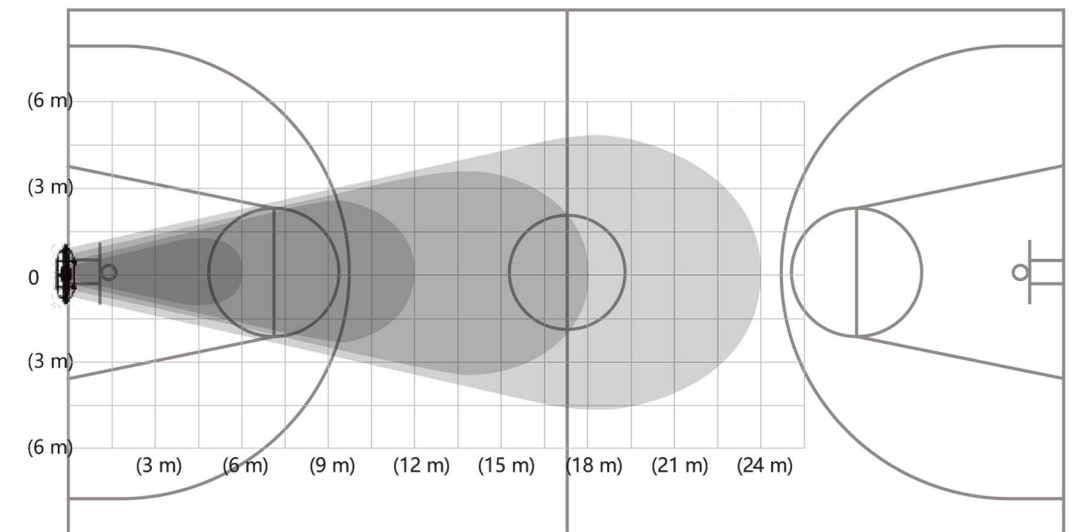
Features

- **Large Air Volume**
Ultra-long air blowing with effective distance of up to 24m. One fan is sufficient to cover a basketball court.
- **Fixed Direction**
Ajustable direction for Ceiling/Wall installation application.
- **Energy Saving**
Using only 0.55kW, great saving on such low energy consumption.
- **Quiet & Low Noise**
Whisper quiet of only 43dBA.
- **Stepless Speed Control**
Permanent Magnet Synchronous Motor (PMSM) drives the fan blades, stepless frequency conversion speed control with easy operation.
- **Waterproof/Dustproof**
Protection level is IP55, waterproof in overall. The fan can be used in rainy/ humid days and is easy to clean with water.



Technical Specifications

Model	SHVLS-G6BAA20
Dimensions(WxHxD)	1980mm x 1881mm x 374mm
Max speed	320r/min
Range of wind speeds	0-36m ³ (wind speeds 7m/s-1.5m/s)
Full load air volume	1208m ³ /min
Motor	PMSM Motor
Motor Power	0.55kW
Inner Power	220V
Full-load current	1.7 A
Sound Level(maximum speed)	43dBA
Protection levels	IP55
Weight	136KG



**Data provided by factory. Airflow may differ from actual site condition and environment. Specifications subject to changes without prior notice.*