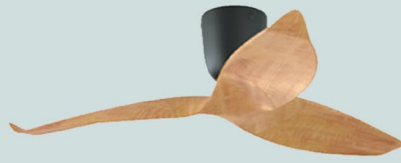


Aeratron AE3+

This unique 3-blade fan is our best seller and an international multi-award winner for design and efficiency. Rated **MOST EFFICIENT 2013-2022** by Energy Star, the AE+3 furnishes quiet, smooth, and even airflow for a perfect living environment, all year round.



Y 43"

Y 50"

Y 60"

Additional Features

- Silent, optimized 3-D airfoil blades
- Super-efficient DC motor; saves about 85% compared to traditional designs
- Patented self-balancing system and bearing system
- Full-feature remote with 6 speeds, reverse and dimmable light control
- Suitable for indoor or covered outdoor installation up to 40° pitched ceilings (suitably equipped)
- Tropical environment rated

*Specifications subject to change without notice. Picture illustration may varies with actual products supplied

Accessories & Control

- 10W Dimmable LED Warm White 3000K (800 lumens)
- Extension Rod Kit; with included 5.5" Rod (24" & 36" Optional)
- Wall Switch Kit
- Building Automation Kit / 0-10 Volt control module
- WiFi control module



Construction	ABS & Engineering grade Plastic
Weight	12.3lb = 5.6kg
Finishes	Silver - Black - White - Mahogany - Oak
Motor Type	DC - Ultra High Efficiency
Operating Voltage	100 - 240VAC (50-60Hz)
Speeds	1-2-3-4-5-6 + Reverse (Remote Control)
Environmental Rating	Covered Indoor / Outdoor - Tropical
LED Light Kit 3000K	10W - 800 lm
Remote Control Function	Fan Speed / Reverse / Light On-Off
Installed Height Hugger	10.9 in. (275mm)
Installed Height Extension Kit	16.6 in. (420mm)
Installed Height (24 in.) Rod	35.9 in. (910mm)
Installed Height (36 in.) Rod	48.5 in. (1230mm)



Fan Diameter	43 in. (1092mm)	50 in. (1260mm)	60 in. (1524mm)
Fan Speed Setting- LOW	1	1	1
Revolutions Per Minutes (RPM)	61	60	56
Power (Watts)	2.7	2.8	3.0
Air Delivery (CFM)	1485	2038	2954
Fan Speed Setting- HIGH	6	6	6
Revolutions Per Minutes (RPM)	181	180	152
Power (Watts)	13.5	19.3	22.2
Air Delivery (CFM)	4447	6255	8146
Efficiency (CFM/W)	314	331	392

*Specifications subject to change without notice. Picture illustration may varies with actual products supplied

Technical Specifications

Dimensions for Model:

- AE+3 43"
- AE+3 50"
- AE+3 60"

Fan Weight:

- AE+2 43" = 5.5Kg (12.1lbs)
- AE+3 50" = 5.7Kg (12.7lbs)
- AE+3 60" = 6.5Kg (14.3lbs)

Options:

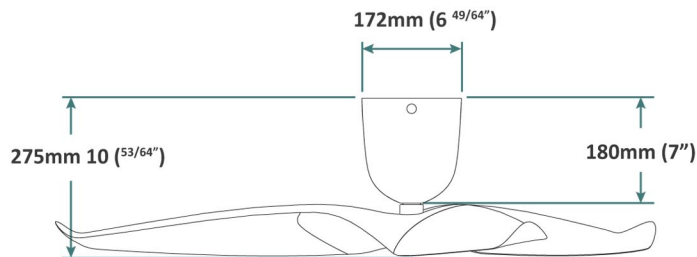
- Wall switch control
- Automation control
- WiFi control

Remote Control:

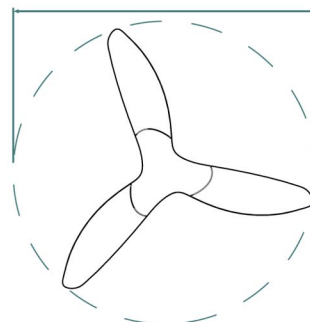
- Hand held, RF

Colours:

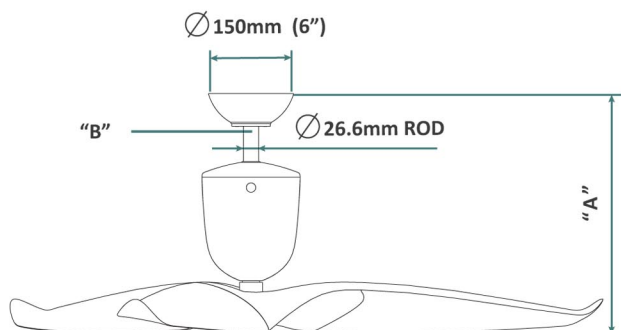
- White/Silver/Black
- Dark/Light wood-grain



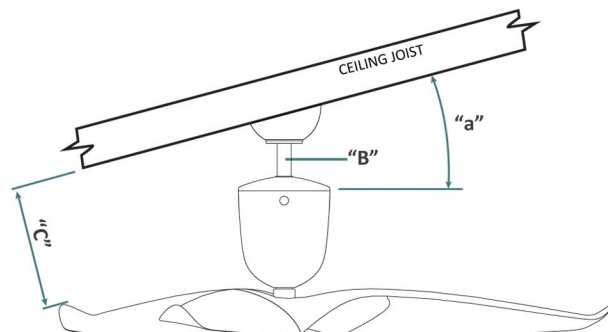
43" 1092mm / 50" 1260mm / 60" 1524mm



Ceiling Extension Kit



Raked Ceiling Kit



"A" Ceiling to Fan blade	"B" Extension Rod Length	Accessories Required
420mm (16 17/32")	115mm Rod (4 17/32")	Included
910mm (35 53/64")	600mm Rod (23 5/8")	Not Included
1210mm (47 41/64")	900mm Rod (35 7/16")	Not Included

"a" Angle	"C" Clearance	"B" Extension Rod Length	Accessories Required
17° - 33°	200mm min.	115mm Rod (4 17/32")	Included
		600mm Rod (23 5/8")	Not Included
		900mm Rod (35 7/16")	Not Included

*Specifications subject to change without notice. Picture illustration may varies with actual products supplied