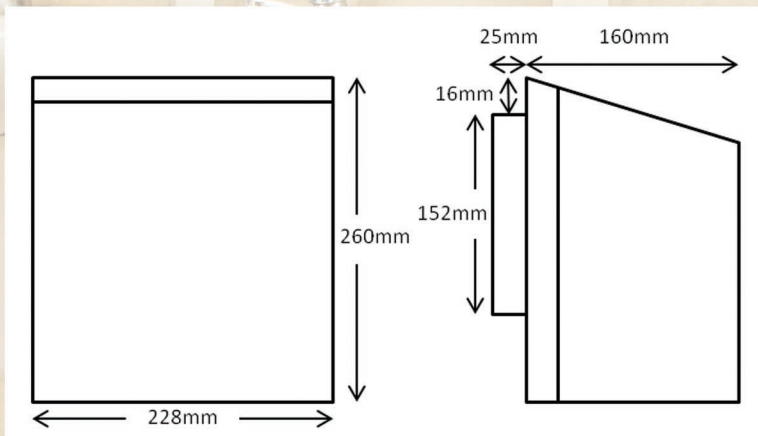


## Whirlwind (HD 1600)

Whirlwind hand dryer is vandal and corrosion resistant, quiet and easy to operate. Its simple and elegant design allows it to blend into any washrooms.

### Features

- Infrared Sensor Activation
- Corrosion and Vandal Resistant Aluminium Alloy Cover
- Safety Thermostat
- Sensing Range: 15cm - 20cm
- Tested to IEC 60335-2-23:1996



MODEL	Voltage / Frequency	Wattage	Power Consumption (W)	Weight
Whirlwind HD1600	220 - 240V / 50Hz	1600	54	4kg

\*Specifications subject to change without notice. Picture illustration may varies with actual products supplied.