

Whirlwind (HD 1600)

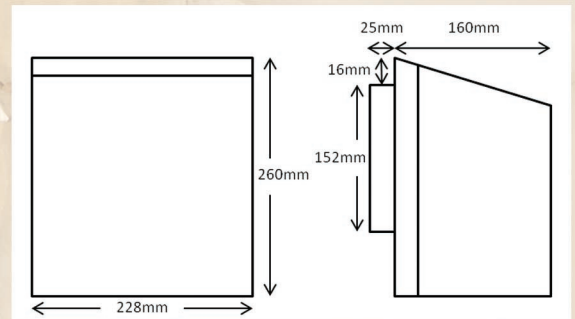
Whirlwind hand dryer is vandal and corrosion resistant, quiet and easy to operate. Its simple and elegant design allows it to blend into any washrooms.

Features

- Infrared Sensor Activation
- Corrosion and Vandal Resistant Aluminium Alloy Cover
- Safety Thermostat
- Sensing Range: 15cm - 20cm
- Tested to IEC 60335-2-23:1996



MODEL	Voltage / Frequency	Wattage (W)	Motor Consumption (W)	Weight (kg)
Whirlwind	220 - 240V / 50Hz	1600	54	4



*Specifications subject to change without notice
*Picture illustration may varies with actual products supplied

Marketed by:
Khind Systems (Singapore) Pte Ltd
(formerly known as Ancom Systems (Singapore) Pte Ltd)
 No. 5 Penjuru Close #03-00
 Singapore 608600
 Tel (65) 6862 3777
 Fax (65) 6862 8628
 kssg.sales@khind.com